

3.5" Quick Mount HMI: LT4201M Series



**TouchPanel
Operation**



3.5 inch TFT Color LCD
Fan-less, Diskless Quick Mount HMI

DC24V

QVGA

3.5-inch

LT4201M

Model: PFXMLM4201TADAC, PFXMLM4201TADAK, PFXMLM4201TADDC, PFXMLM4201TADDK

Powered by







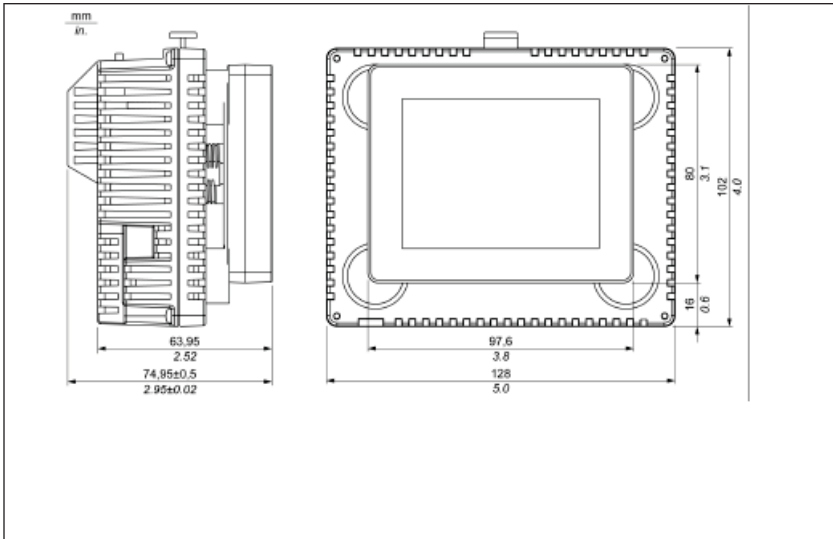
Features:

- 65,536 color, LED backlit TFT color LCD Display
 - Separate Front and Rear Module all for quick installation in 22mm hole
 - 64-bit RISC CPU for ultra-fast screen refresh and communication
 - No grid analog touch panel for improved visibility and precise part placement
- Supports a large selection of Serial or Ethernet protocols (Set up to 4 Ethernet or 3 Ethernet and 1 serial protocol.)
 - USB Interfaces can be used for project transfer and to connect BCR scanners, printers, and memory devices.
 - Programmed with the versatile GP-Pro EX Screen Development Software
 - Multiple Mounting Options Available

Specifications		
Model	LT-4201TM (type AIO)	LT-4201TM (type DIO)
Order Numbers	PFXMLM4201TADAC (Source) PFXMLM4201TADAK (Sink)	PFXMLM4201TADDC (Source) PFXMLM4201TADDK (Sink)
Display	Size and Type	3.5" TFT Color LCD
	Colors	65536 colors
	Resolution	320 x 240 pixels (QVGA)
	Brightness Adjustment	16 levels of adjustment available via touch panel in the Configuration menu
	Backlight	White LED adjustable on/off control
	Area	W 70.56 x H 52.92 mm [W 2.78 x H 2.08 in]
	Touch Panel	Resistive Film (Analog) 1024 x 1024 pixels
Memory	Application	16MB FLASH EPROM (Capacity available for user application)
	Data Backup	128KB nvSRAM
	Logic Program Area	132KB FLASH EPROM (equivalent to 15,000steps)
Interfaces	Serial (COM1)	x1 RS232C / RS485 (RJ45)
	Ethernet	x1 10/100BASE-T
	USB	x 1 (USB 2.0 Type A), x1 (USB 2.0 Mini-B)
	CANOpen	CANopen master (Sub-D9) (supported 2014)
Built in DIO (Input)	12 points, High speed counter / Pulse catch input included.	20 points, High speed counter / Pulse catch input included.
Built in DIO (Output)	6 points + 2 points PWM/Pulse	10 points + 2 points PWM/Pulse
Built in AIO (Input)	4 points (Voltage/Current x2 - Temperature input x2 included)	0 points
Built in AIO (Output)	2 points (Voltage/Current x2)	0 points
Clock	Battery backed clock	

General Specifications			
Model	PFXMLM4201TADAC (Source) PFXMLM4201TADAK (Sink)	PFXMLM4201TADDC (Source) PFXMLM4201TADDK (Sink)	
Electrical	Input Voltage Limits	24V DC	
	Rated Voltage	20.4V DC to 28.8V DC	
	Power Consumption	≤ 12 W	
Environmental	Ambient Operating Temp	Horizontal Installation	0...50 °C (32...122 °F)
		Vertical Installation	0...40 °C (32...104 °F)
	Storage Temperature	-20...60 °C (-4...140 °F)	
	Relative Humidity	5...85% w/o condensation (non-condensing, wet bulb temperature 39 °C (102.2 °F) or less)	
	Altitude Operation	0...2,000 m (0...6,560 ft)	
	Vibration & Shock Resistance	Mounted on a DIN rail	3.5 mm (0.138 in.) fixed amplitude from 5...8.4 Hz 9.8 m/s ² (1 gn) fixed acceleration from 8.4...150 Hz
		Mounted on a panel	3.5 mm (0.138 in.) fixed amplitude from 5...8.6 Hz 9.8 m/s ² (1 gn) fixed acceleration from 8.6...150 Hz
Structural	Ratings	Front module IP65f, NEMA Type 4x, rear module IP20	
	Certifications	CE,, UL Listed, RoHS, GOST	
	Cooling Method	Natural Air Circulation	
	Weight	LT-4201TM (Modular Type Analog): 531 g (18.73 oz)	LT-4201TM (Modular Type DIO): 496 g (17.49 oz)
	Warranty	Two year standard	

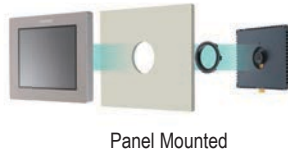
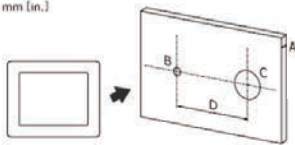
LT4201M External Dimensions



LT4201M Cut-Out Dimensions

Unit: MM (in)

unit : mm [in.]



A	B	C	D
1.5 to 6	4.00	22.50	30.00
[0.06 to 0.23]	[0.15]	[0.88]	[1.18]

* If rotating torque acted on a display module is 2.5 N.m (22.12 in-lb) or more, use an anti-rotation tee which is supplied with a LT unit. The anti-rotation tee supports up to 6 N.m (53.10 in-lb).

Software Compatibility



Powered By

Screen Editor

GP-Pro EX

HMI Development Software

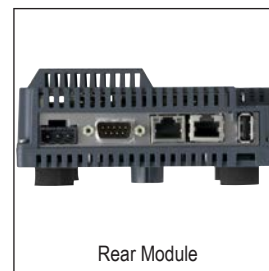
(Version 3.12 or newer)

Ordering Information

Part Number	Description
PFXLM4201TADAC (Source)	3.5" TFT, 1 Serial, 2 USB, Ethernet, 22mm Quick Mount, 24VDC, Analog, Source
PFXLM4201TADAK (Sink)	3.5" TFT, 1 Serial, 2 USB, Ethernet, 22mm Quick Mount, 24VDC, Analog, Sink
PFXLM4201TADDC (Source)	3.5" TFT, 1 Serial, 2 USB, Ethernet, 22mm Quick Mount, 24VDC, Source
PFXLM4201TADDK (Sink)	3.5" TFT, 1 Serial, 2 USB, Ethernet, 22mm Quick Mount, 24VDC, Sink

Optional Items

Part Number	Product Name
EX-ED-Vxx	GP-Pro EX Development Software (download version), xx refers to current version
EX-ED-Vxx-DVD	GP-Pro EX Development Software (download version + DVD backup media), xx refers to current version
PFZXMADSM31	Display module / rear module separation cable (3m)
PFZXMADSM51	Display module / rear module separation cable (5m)
PFZLMCBRJR21	Cable for RS-232C connection between various hosts and the LT4000M (RJ45 Type) -open leads
PFZLMCBRJR81	Cable for RS-485 connection between various hosts and the LT4000M (RJ45 Type) -open leads
PFXLM4B01DAC	LT4000M Analog model Rear Module - Source
PFXLM4B01DAK	LT4000M Analog model Rear Module - Sink
PFXLM4B01DDC	LT4000M DIO model Rear Module - Source
PFXLM4B01DDK	LT4000M DIO model Rear Module - Sink
PFXXM4200TP	3.5" Display Module
PFXXM4300TP	5.7" Display Module
PFZLMCNI01	DIO Connector set for LT4000M



Proface_LT4201M_en_0915.pdf

KLINKMANN

Helsinki
tel. +358 9 540 4940
automation@klinkmann.fi

St. Petersburg
tel. +7 812 327 3752
klinkmann@klinkmann.spb.ru

Moscow
tel. +7 495 641 1616
moscow@klinkmann.spb.ru

Yekaterinburg
tel. +7 343 287 19 19
yekaterinburg@klinkmann.spb.ru

Samara
tel. +7 846 273 95 85
samara@klinkmann.spb.ru

Kiev
tel. +38 044 495 33 40
klinkmann@klinkmann.kiev.ua

Riga
tel. +371 6738 1617
klinkmann@klinkmann.lv

Vilnius
tel. +370 5 215 1646
post@klinkmann.lt

Tallinn
tel. +372 668 4500
klinkmann.est@klinkmann.ee

Minsk
tel. +375 17 200 0876
minsk@klinkmann.com